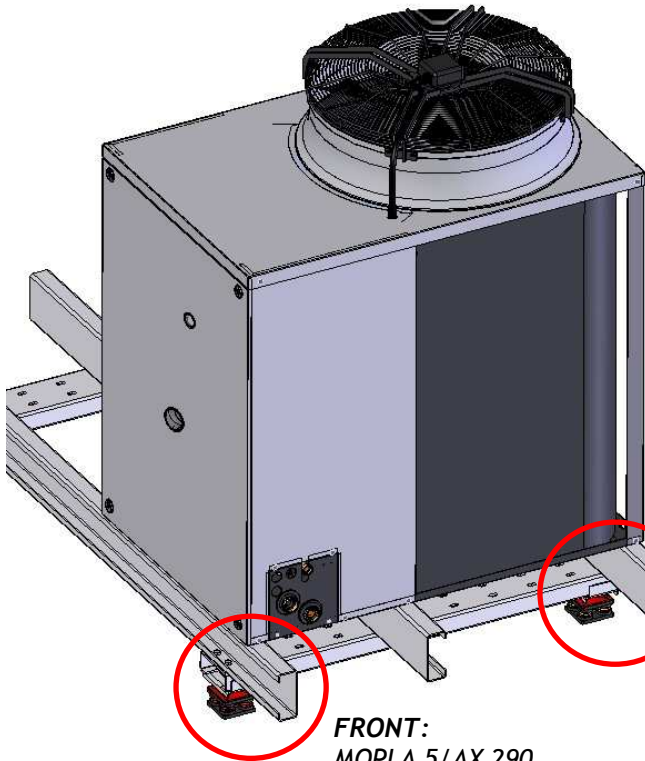
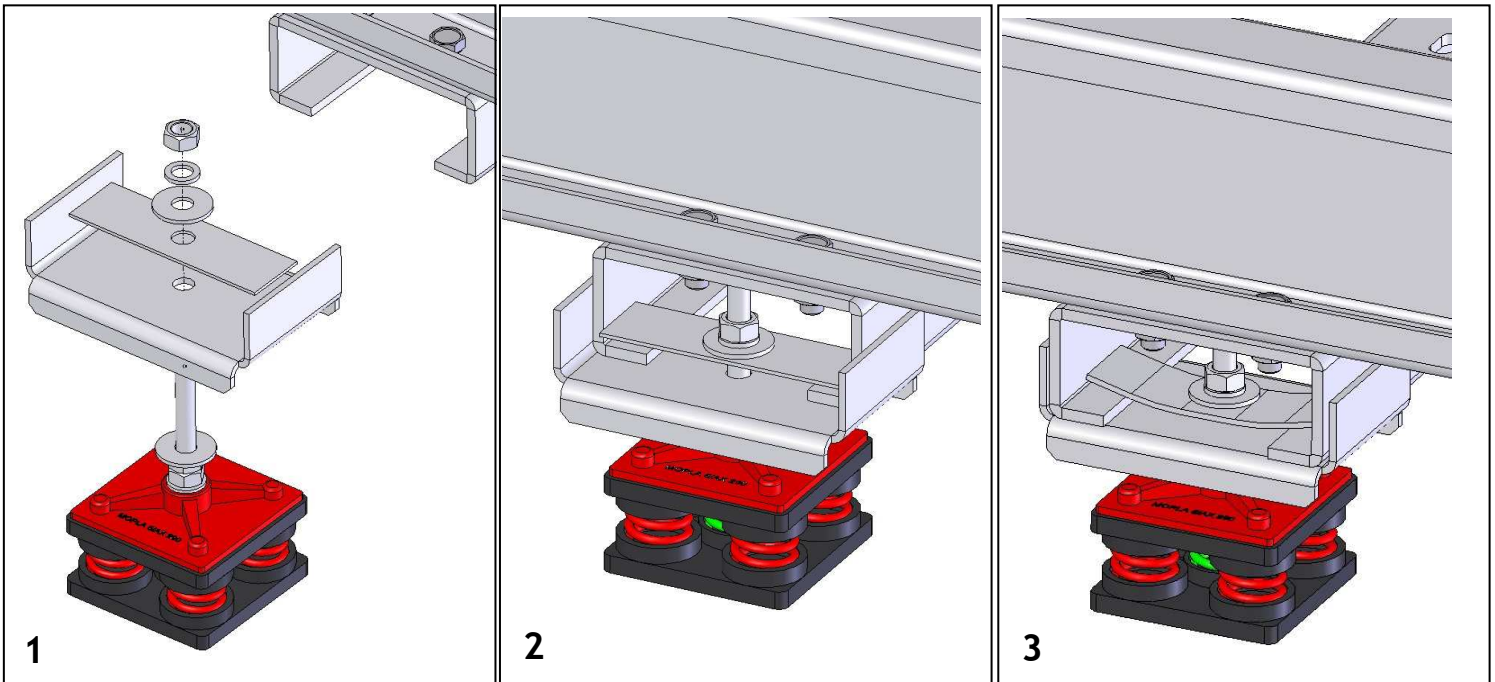
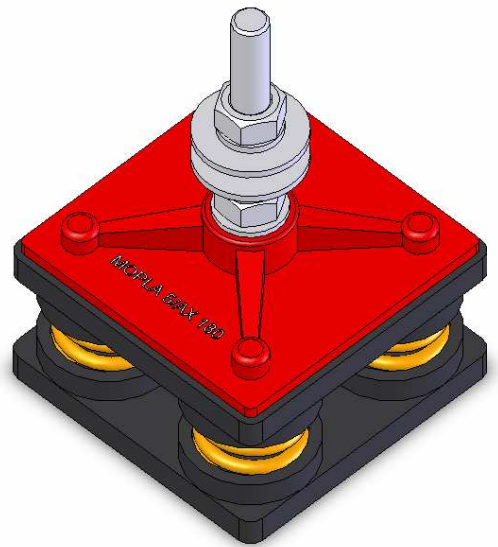


**INSTALLATION ISTRUCTIONS ANTIVIBRATION  
FOR LINK**



**FRONT:**  
MOPLA 5/AX 290  
RED SPRINGS

**REAR:**  
MOPLA 5/AX 180  
ORANGE SPRINGS



Remeha nv • Koralenhoeve 10 • 2160 Wommelgem • TEL +32 (0)3230 71 06 E-MAIL info@remeha.be •  
WEB www.remeha.be